

ACCESSOIRE PRESSURE SWITCHES

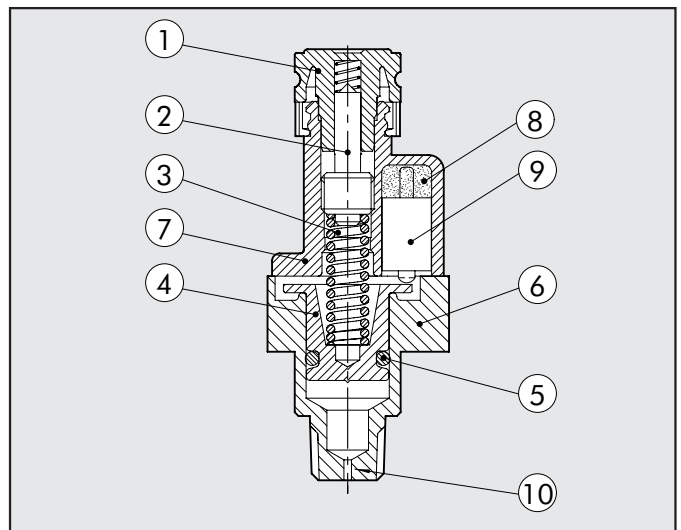
This type of pressure switch features a high degree of miniaturisation and a modern attractive design. It can be installed in any position and also mounted onto a wall by means of two transversal holes. In order to reduce wiring times, it is supplied ready assembled with a 2-metre electric cable or an M8 connector with a 300-mm cable. The contact is the switching type, which means it can be normally open or normally closed. A knurled push-lock handle is provided for regulation



TECHNICAL DATA		
Adjustable pressure interval	bar	0.5 ÷ 10
Hysteresis (not adjustable)	bar	from 0.4 to 0.8 (See diagram)
Maximum pressure	bar	15
	MPa	1.5
	psi	217
Operating temperature range at: 1 MPa; 10 bar; 145 psi	°C	50
	°F	122
Lower threaded port		R 1/8"
Maximum current	A	2
Maximum voltage	V	250
Outside diameter of cable	mm	4.9
Number of wires and cross section		3x0.5 mm ²
Contacts		Normally-Open (NO) and Normally-Closed (NC)
Protection		IP65
Number of switchings		5x10 ⁶
Fluid		Filtered lubricated or unlubricated compressed air. Lubrication, if used, must be continuous
Mounting position		In any position
Weight	Kg	0.121

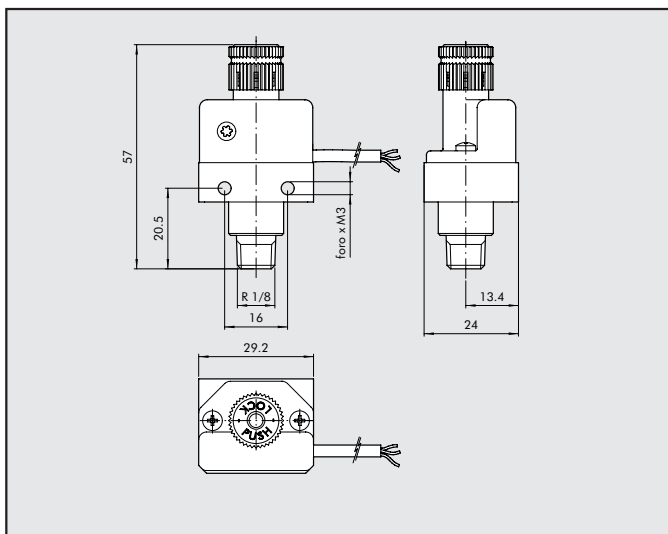
COMPONENTS

- ① Technopolymer adjusting push-lock handle
- ② Brass adjusting screw
- ③ Steel piston spring
- ④ Brass piston
- ⑤ NBR gasket
- ⑥ Body made of anodized aluminium
- ⑦ Technopolymer pressure switch body
- ⑧ Resin finish for IP65
- ⑨ Electrical contact
- ⑩ Choke to reduce peaks in pressure



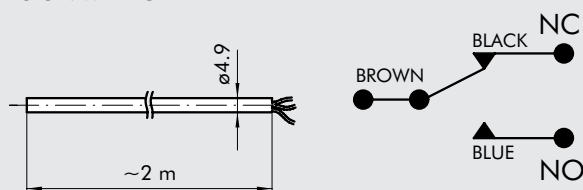


DIMENSIONS

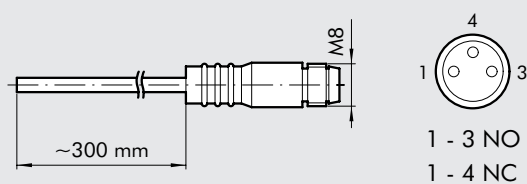


WIRING DIAGRAM

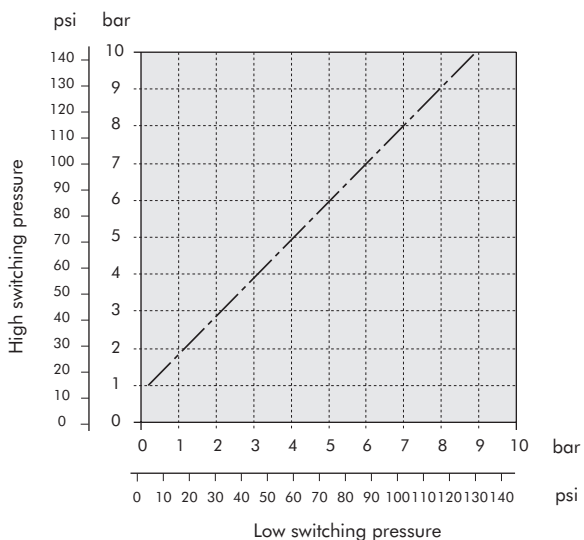
VERSION WITH CABLE



VERSION WITH M8 CONNECTOR



HYSTERESIS GRAPH

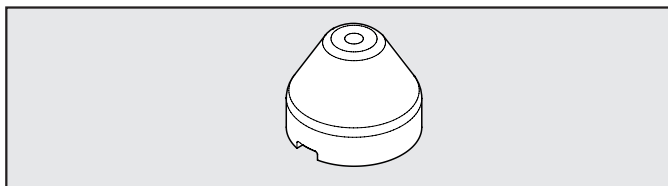


ORDERING CODES

Code	Description
9000401	ACC. - 1/8 2A NO/NC PRESSURE SWITCH, 2-METRE CABLE
9000402	ACC. - 1/8 2A NO/NC PRESSURE SWITCH, M8 CONNECTOR

ACCESSORIES

SECURITY KNOB



Code	Description
9200703	ACC. SECURITY KNOB

NOTE: Pull outwards to remove the knob from the pressure switch on the unit. Insert the security knob and regulate the pressure switch. Then press the handle firmly to lock it in position. If the APR/pressure switch needs to be reset, remove the security knob by forcing it laterally with a screwdriver.

NOTES

